



H A Harman International Company

D 880^M / D 880^{MS}

EMOTION | TriPOWER Series Dynamic Microphone

Description

The AKG Model D 880^M is a rugged dynamic supercardioid microphone intended for on-stage vocal pickup. Its supercardioid pattern is uniform with frequency, and its response has been boosted at mid and high frequencies for enhanced on-stage vocal applications. The microphone has a heavy duty, dent-resistant spring steel windscreen with an integral pop filter for effective suppression of breath noise. The inner pop filter can be removed for cleaning or for replacement. The microphone incorporates important AKG developments: VariMotion System™ in which the diaphragm thickness varies from 20 microns at the edge to 40 microns at the center. This distribution of mass produces extended bass response, virtually eliminating the need for a tuning resonator. The Doubleflex™ mounting system used with the capsule assembly places the primary resonance of the moving system well below the audible range, resulting in excellent isolation of handling and cable induced noises.

The D 880^M features a modular output system, which allows the microphone to be used with a standard non-switched or with a silent on-off switch with 3-pin XLR-type output or with the TM 40 module to create a wireless microphone compatible with the AKG WMS 40 series receivers.

The D 880^M's light-weight body is die cast zinc alloy and has a black matte soft-touch paint finish for minimum reflection and glare. In addition, the XLR plug-in module is easily removable and may be replaced by the optional, TM40 module for conversion to wireless use. The D880^{MS} provides the added feature of an on/off switch.



Specifications

Transducer type:	Dynamic pressure gradient
Frequency response:	60 - 20 kHz (20 - 20 kHz @ 1 cm)
Polar pattern:	Supercardioid
Impedance:	<600 ohms
Recommended load impedance:	>2000 ohms
Output connector:	XLR-M
Sensitivity:	2.2 mV/Pa: -53 dB (re 1 V/Pa)
Sound pressure level for 1% (3%) THD:	147 dB SPL (156 dB SPL)
Size:	Maximum diameter: 2 in. (50 mm) 7.13 in. length (181 mm)
Net weight:	10.4 oz. (295 g)
Shipping weight:	1.4 lbs. (650 g)
Accessories included:	SA 61 Stand adapter mic bag
Optional accessories:	SA 26, ST 305 Table stand W 23 Foam windscreen TM40 UHF transmitter module, AKG WMS 40 Series wireless receivers

Features

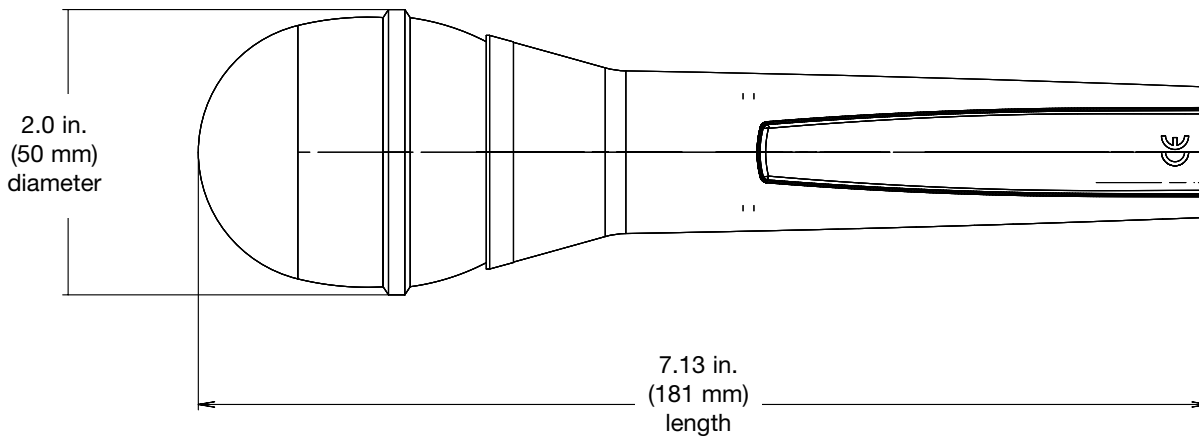
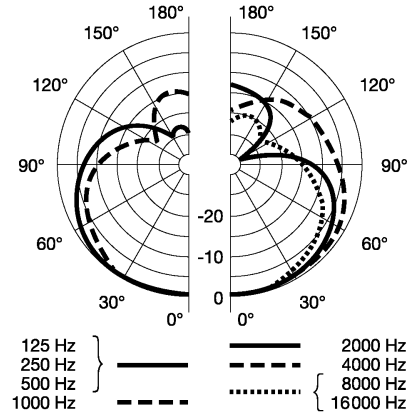
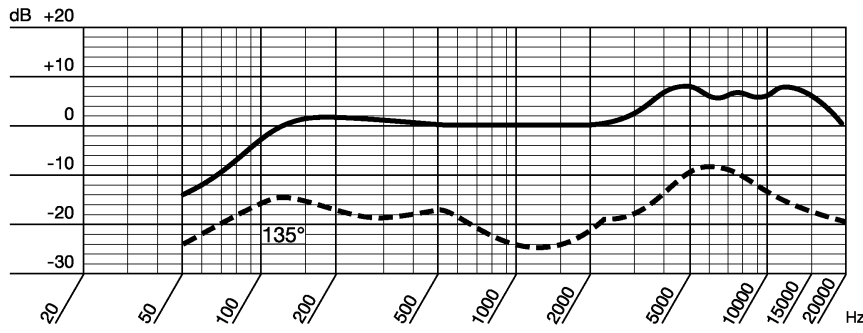
- Response-tailored for on-stage vocal performance
- Frequency-independent supercardioid pattern for added immunity to feedback
- Very low handling noise through use of AKG's Doubleflex™ anti-vibration shock isolation system
- High sensitivity (2.5 mV/Pa) resulting from use of high-energy neodymium-iron-boron magnet
- Interchangeable "M" connector module for switched (D 880^{MS}) or wireless operation
- Light-weight die cast metal body with dark matte finish
- Spring-steel dent resistant windscreen

Architects and Engineers Specifications

The microphone shall be a dynamic type with a supercardioid pickup pattern. Its sensitivity shall be no less than 2.2 mV/Pa, and the maximum operating level for 3% THD shall be no less than 156 dB SPL. The maximum diameter of the microphone shall be no greater than 2 in. (50 mm), and the microphone length shall be no greater than 7.13 in. (181 mm). The microphone's net weight shall be no greater than 10.2 oz. The microphone shall

have a dent-resistant spring-steel windscreen with an integral removable/replaceable inner pop filter. The microphone shall have a switchable modular output section that can be equipped without a switch, TM40 module that incorporates a silent on/off switch, or with a UHF wireless module to create a wireless system that is compatible with the WMS 40 wireless receiver models. The microphone shall be the AKG D880™ (D880™S).

Graphical Data



Limited Warranty

AKG Acoustics warrants AKG products against defects in material or workmanship for a period of two years from the date of original purchase made on or after January 1, 2002, and agrees to repair or, at our option, replace any defective unit without charge for either parts or labor. AKG Acoustics grants a three-year warranty covering material and labor for the following condenser microphones purchased on or after July 1, 2003, including the C 12VR, C414B-ULS, C 414B-TLII, C 426B, Solidtube; C 4500B-BC; C 4000B; C 3000B; C 451B; C 2000B; C 1000S, the C 480B and the Ultra-Linear Series capsules (CK 61, CK 62, CK 63, CK 69), the SE 300B

and Blue Line capsules (CK 91, CK 92, CK 93, CK 94, CK 98). This warranty is valid for AKG products purchased within the United States for the original purchaser only. The purchaser's Bill of Sale will serve as proof of sales and warranty validity in the U.S. Shipment of defective items to AKG for repair will be at the customer's own risk and expense. AKG will assume the return shipping cost for all items repaired under warranty.

IMPORTANT: This warranty does not cover damage resulting from accident, misuse or abuse, lack of reasonable care, the affixing of any attachment not provided with the product, loss of parts, or connecting the product to any receptacle other than specified.

Microphones · Headphones · Wireless Microphones · Wireless Headphones · Headsets



H A Harman International Company

AKG Acoustics GmbH

Lemböckgasse 21-25, P.O.B. 158, A-1230
Vienna/AUSTRIA
Tel: (43 1) 86 654-0*, Fax: (43 1) 86 654-516
Internet: <http://www.agg.com>

AKG ACOUSTICS, U.S.

914 Airpark Center Drive
Nashville, TN 37217, U.S.A.
Tel: (615) 620-3800, Fax: (615) 620-3875
Internet: <http://www.aggusa.com>

Studer Japan Ltd.

2-43-7, Uehara, Shibuya-ku, Tokyo 151-0064/JAPAN
Tel: (813) 3465-2211, Fax: (813) 3465-2214

Erikson Pro Audio

620 McCaffrey, St-Laurent, Quebec, H4T 1N1, CANADA
Tel: (514) 738-3000, Fax: (514) 737-5069
Internet: www.jam-ind.com/eriksonpro

AKG is constantly improving and modifying its products, therefore, specifications are subject to change without notice.